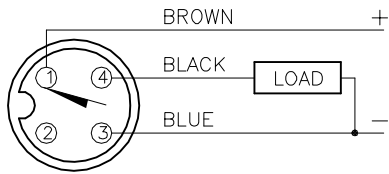


# WIRING DIAGRAM

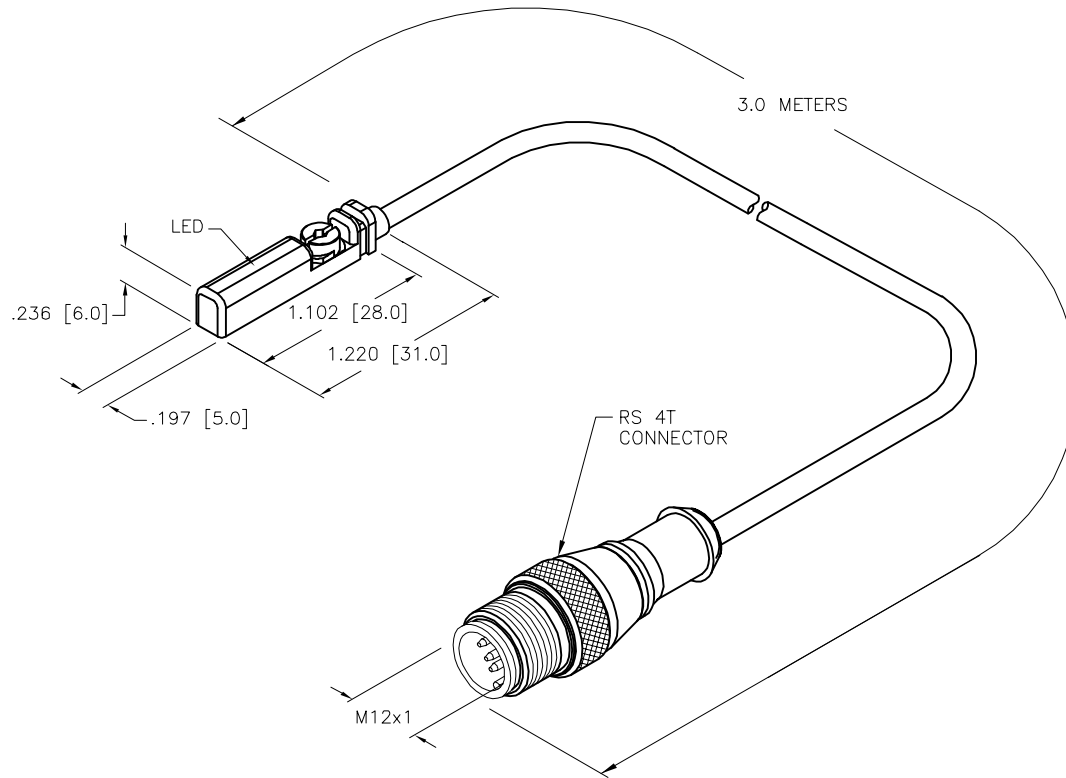


OUTPUT: AP6X

SHORT-CIRCUIT AND OVERLOAD PROTECTED

# SPECIFICATIONS

|                               |   |
|-------------------------------|---|
| PASS SPEED                    | ≤ 10 m/s                                |
| HYSTERESIS                    | ≤ 1mm                                   |
| TEMPERATURE DRIFT             | ≤ 0.1mm                                 |
| MIN. ABSOLUTE REPEAT ACCURACY | ≥ ±0.1mm                                |
| OPERATING TEMPERATURE         | -25°C to +70°C (-13°F to +158°F)        |
| RATED OPERATIONAL VOLTAGE     | 10-30 VDC                               |
| MAX. RIPPLE                   | ≤ 10%                                   |
| DC RATED OPERATIONAL CURRENT  | ≤ 150 mA                                |
| NO-LOAD CURRENT               | ≤ 15 mA                                 |
| RESIDUAL CURRENT              | ≤ 0.1 mA                                |
| MAX. SWITCHING FREQUENCY      | ≤ 1.0 kHz                               |
| RATED INSULATION VOLTAGE      | ≤ 0.5 kV                                |
| OUTPUT FUNCTION               | NORMALLY OPEN, 3-WIRE, PNP              |
| SHORT-CIRCUIT PROTECTION      | YES, CYCLIC                             |
| MAX. VOLTAGE DROP             | ≤ 1.8 V                                 |
| WIRE BREAKAGE PROTECTION      | INCORPORATED                            |
| REVERSE POLARITY PROTECTION   | INCORPORATED                            |
| HOUSING MATERIAL              | PLASTIC, PP                             |
| ACTIVE FACE MATERIAL          | PLASTIC, PP                             |
| CABLE                         | ø3.0, TPU                               |
| VIBRATION                     | 55 Hz, 1 mm AMPLITUDE (IN ALL 3 PLANES) |
| SHOCK                         | 30 g, 11 ms                             |
| DEGREE OF PROTECTION          | IP68                                    |
| SWITCHING STATUS INDICATION   | LED, YELLOW                             |
| INCLUDED IN SCOPE OF SUPPLY   | CABLE CLIP                              |



SOURCE DRAWING - FOR REFERENCE ONLY

|  |                                    |  |                  |  |                                    |
|--|------------------------------------|--|------------------|--|------------------------------------|
| RELATED DOCUMENTS<br>1.<br>2.<br>3.<br>4.                  | 3RD ANGLE PROJECTION<br>           | THIS DRAWING IS CONFIDENTIAL AND THE PROPERTY OF TURCK INC. USE OF THIS DOCUMENT WITHOUT WRITTEN PERMISSION IS PROHIBITED. |                  | 3000 CAMPUS DRIVE<br>MINNEAPOLIS, MN 55441<br>1-800-544-7769<br>(763) 553-7300<br>(763) 553-0708 fax<br>www.turck.us |                                    |
|  | MATERIAL                           | ALL DIMENSIONS DISPLAYED ON THIS DRAWING ARE FOR REFERENCE ONLY  | DRFT RDS<br>APVD | DATE 11/24/09<br>SCALE 1=1.0   | DESCRIPTION<br>BIM-UNT-AP6X-3-RS4T |
| FINISH   | CONTACT TURCK FOR MORE INFORMATION | UNIT OF MEASUREMENT<br><b>INCH [ MILLIMETER ]</b>  |                  | IDENTIFICATION NO.<br>4686770  | REV<br>E                           |
| E UPDATE SENSOR BODY & PROTECTION CLASS<br>REV DESCRIPTION | RDS 02/17/21<br>BY DATE ECO NO.    | DO NOT SCALE THIS DRAWING  |                  | FILE: 4686770  | SHEET 1 OF 1                       |

# TURCK